

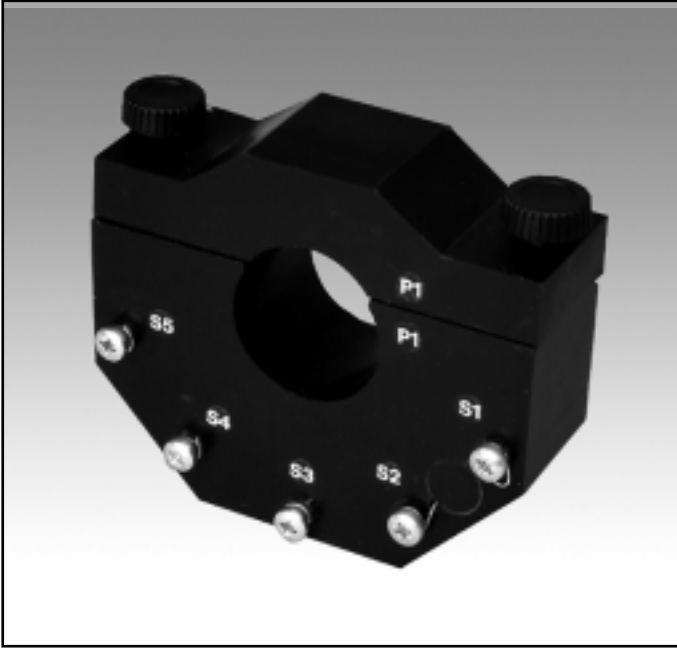
# ENCAPSULATED MULTI-RATIO SPLIT CORE CURRENT TRANSFORMERS

## DESCRIPTION

A split-core current transformer with four built-in current ratios in one product. Suitable for use up to 400A using cable primaries.

## APPLICATION

The split-core design allows installation into existing networks without disconnecting cables or busbar circuits. The multi-ratio feature is ideally suited to stockists, distributors and contractors who need instant access to popular CT ratios up to 400A in one stock item.



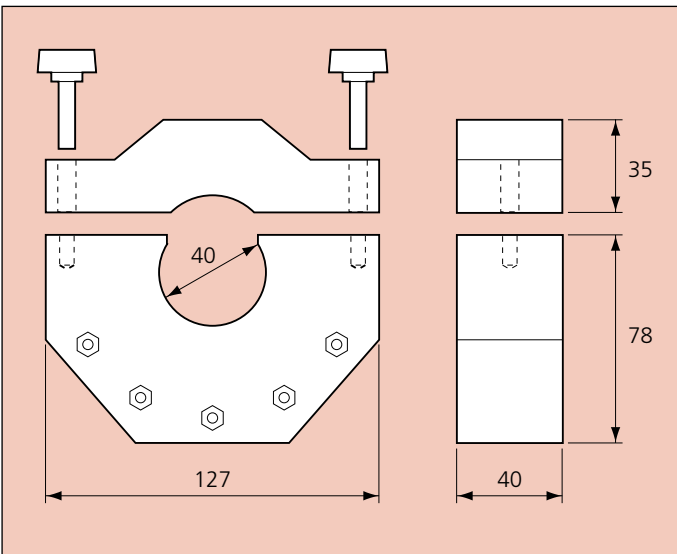
## RANGE

Part No	Class Accuracy	Measuring Range	Burden
CTSCNEN100<400/5	1	100/5A	1.5VA
		200/5A	3.0VA
		300/5A	5.0VA
		400/5A	5.0VA

## TECHNICAL SPECIFICATION

- Conforms to IEC 185/BS7626 and BSEN 60044-1/IEC 60044-1.
- Rated system voltage 0.72/3kV.
- Ambient temperature range -30°C to 80°C.
- Frequency range 50-60Hz.
- Insulation level 3kV for 1 minute.
- Continuous current, 1.2 x rated current.
- CE approved.

## DIMENSIONS (mm)



Our policy is one of continuous development and therefore specifications may change without notice.

## HOWARD BUTLER LTD

CROWN WORKS, LINCOLN ROAD  
WALSALL WS1 2EB ENGLAND

Tel: 01922 640003 Fax: 01922 723626

International Tel: +44 1922 640003 E-mail: sales@hobut.co.uk

<http://www.hobut.co.uk>